



Installation Instructions: Emergency Pack for Muto Highbay 09575

Read these instructions before installation and retain for future reference.
This equipment should be installed by a competent electrician

Important Information

We recommend that luminaires are installed by a qualified electrician ensuring the installation complies with current IEE wiring regulations & local building control.

- BELL will not accept responsibility for any claims arising from a poor installation.
- Always switch off mains supply before installing.
- All tests should be carried out in accordance to emergency lighting regulations

This product may contain substances that can be hazardous to the environment if not disposed of properly. Electrical and electronic equipment should never be disposed of with general household waste but must be separated for its correct treatment and recovery.

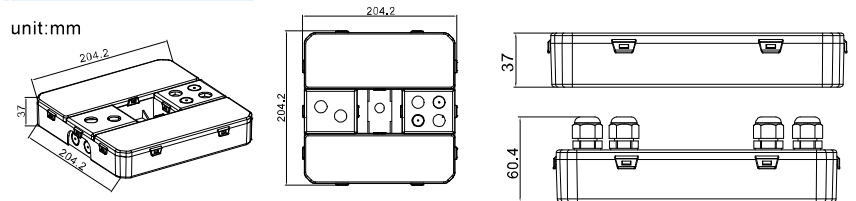
Where possible recycle your packaging.



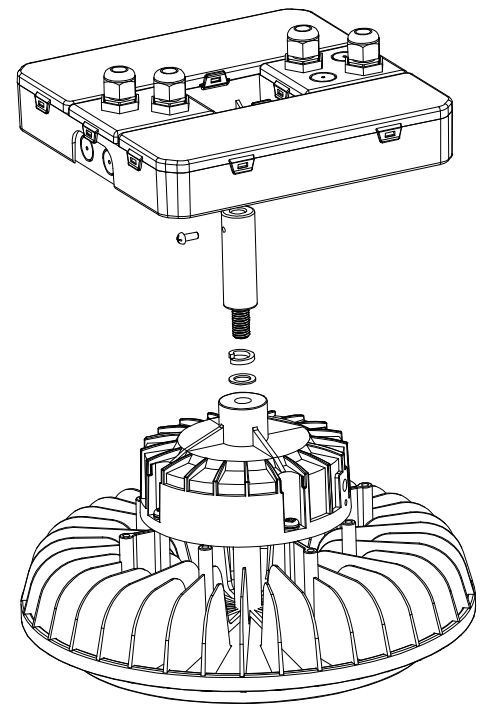
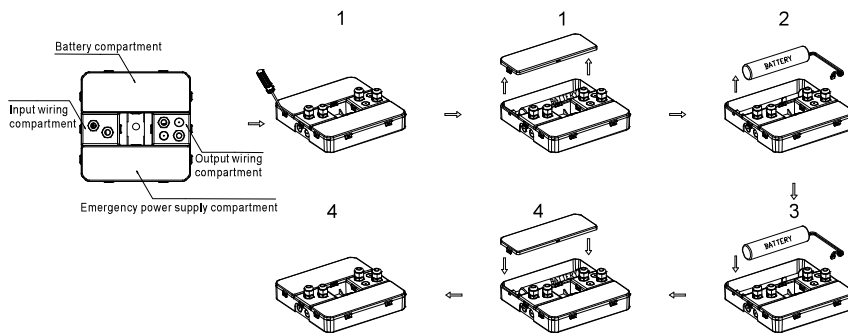
General Specification	
Rated Supply Voltage	220-240VAC
Mains Frequency	50/60Hz
Ambient Temperature TA	5-45°C
Max Casing Temperature TC	75°C
Output Voltage	60-250VDC
Output Power	2.4-3.5W
Battery Type	LiFePO4, 3.2V, 6000mAh

Mechanical Outline

unit:mm

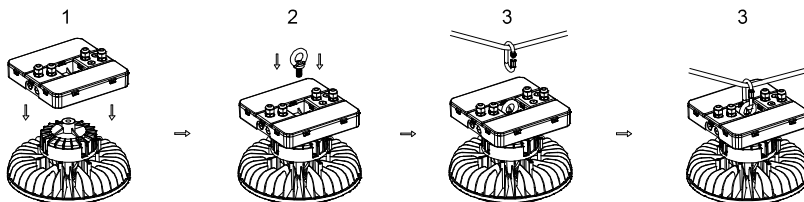


Battery replacement



- Step 1: Use tools to pry open the cover of the battery compartment.
- Step 2: Disconnect the battery connector of the old battery and take it out
- Step 3: Connect the battery connector of new battery and install it
- Step 4: Close the open cover to complete the battery replacement

Mounting Options



- Step 1: Place the product on the HIGHBAY power supply, align the hole in the centre of the product with the hole above the HIGHBAY
- Step 2: Pass the eye nut through the product from top to bottom, screw it into the thread of the extension bolt, and fix the product on the top of the HIGHBAY power supply
- Step 3: After the above fixing is completed, hang the eye nut on the installation position

British Electric Lamps Ltd
BELL House, Foxbridge Way, Normanton Industrial Estate
Normanton, West Yorkshire. WF6 1TN

BELL Ireland
Marina House, Clarence Street, Dun Laoghaire
County Dublin, Ireland, A96 AX76

T: +44 (0)1924 893380 F: +44 (0)1924 894320
E: sales@belllighting.co.uk

Technical Helpline +44 (0)1924 893380

www.belllighting.co.uk

www.belllighting.co.uk



Installation Instructions: Emergency Highbay Pack 09575

Read these instructions before installation and retain for future reference.
This equipment should be installed by a competent electrician

Important Information

We recommend that luminaires are installed by a qualified electrician ensuring the installation complies with current IEE wiring regulations & local building control.

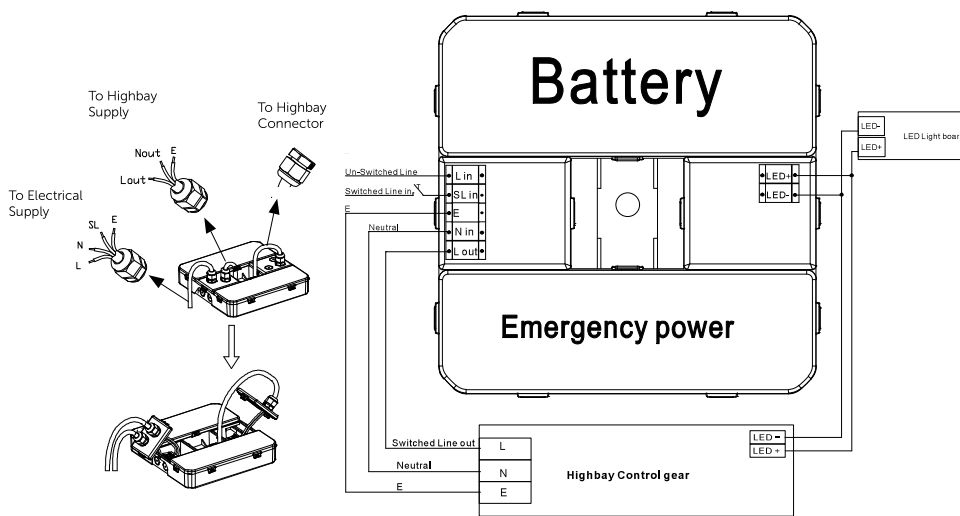
- BELL will not accept responsibility for any claims arising from a poor installation.
- Always switch off mains supply before installing.
- All tests should be carried out in accordance to emergency lighting regulations

This product may contain substances that can be hazardous to the environment if not disposed of properly. Electrical and electronic equipment should never be disposed of with general household waste but must be separated for its correct treatment and recovery.

Where possible recycle your packaging.



Wiring Diagram



To change between self-test and normal test, press and hold the test button for 5 seconds. It will flash Green when in self-test mode, and will flash Red when in standard test mode.

Testing/Commissioning(self test)

Functionality of the test button

- 1) A short press (>1s) on the button start a function test lasting 5 seconds (the battery's capacity should be more than 5%=charging 30mins)
- 2) Holding down the button (>10s) resets the timer (system-reset)

Function test

The 5 second long, each 7 days function test serves to check the functionality of the emergency unit, the batteries and LED module

Duration test(EU-3hrs)

- First test: After 24 hours of AC mains power input, he emergency lighting unit will enter into a 3-hour duration test.

- Half year duration test: Conduct 3-hour duration test every 180-182 days to check the battery capacity.

Notice

- A function test & duration test shall only be started when the battery supply is fully charged if a mains supply failure occurs while a function test & duration test is in progress, the test shall be postponed and the system shall enter emergency operation. Following restoration of the mains supply, a postponed duration test shall re-commence automatically when the battery supply is fully re-charged, function test battery $\geq 3V$, duration test battery $\geq 3.55V$

- The indicator will be slow flashing green for 5 days if the duration test is carried out successfully.

Indicator LED System status is by a bi-color indicator LED.

LED Indication	Status	Description
Permanent Green	Standby ,System OK	Mains Operation, battery is charged
Fast flashing Green (0.25s on 0.25s off)	Function test underway	Function test underway
Slow flashing Green (1s on 1s off)	Duration test underway	Duration test underway
Permanent Red	Lamp failure	Open Circuit or Short circuit or LED failure
Fast flashing Red (0.25s on 0.25s off)	Battery capacity failure	Battery failed duration test
Slow flashing Red (1s on 1s off)	Battery fault	Incorrect battery voltage or Short circuit or Open Circuit
Green and Red off	Battery Operation	Emergency mode: Mains disconnected or Mains failure
Green off	Battery temperature error	When power on and battery temperature is above $55(\pm 2)^{\circ}C$ or below $0(+2)^{\circ}C$

NOTICE: Other matters:

1. After the first power-on, continuous charging for 24 hours to enter the first inspection, if additional operations are carried out during the continuous charging process, the time of entering the first inspection will be deviated.
2. After entering the emergency state, simply press the test button once ($\geq 1S$) to exit the emergency state.

NOTICE
Fault status:
If an error is detected, the indicator LED will switch to RED. If the error has been corrected please re-connecting the battery after the mains power off, the indicator LED immediately will switch back to GREEN when mains power on.

NOTICE
Battery failed duration test:
After an exchange of the battery and holding down the button (>10S) reset the timer, the indicator LED will switch to GREEN.
If the battery temperature is above $55(\pm 2)^{\circ}C$ or below $0(+2)^{\circ}C$, the battery will stop charging.

British Electric Lamps Ltd
BELL House, Foxbridge Way, Normanton Industrial Estate
Normanton, West Yorkshire. WF6 1TN

BELL Ireland
Marina House, Clarence Street, Dun Laoghaire
County Dublin, Ireland, A96 AX76

T: +44 (0)1924 893380 F: +44 (0)1924 894320
E: sales@bellighting.co.uk

Technical Helpline +44 (0)1924 893380

www.bellighting.co.uk

www.bellighting.co.uk